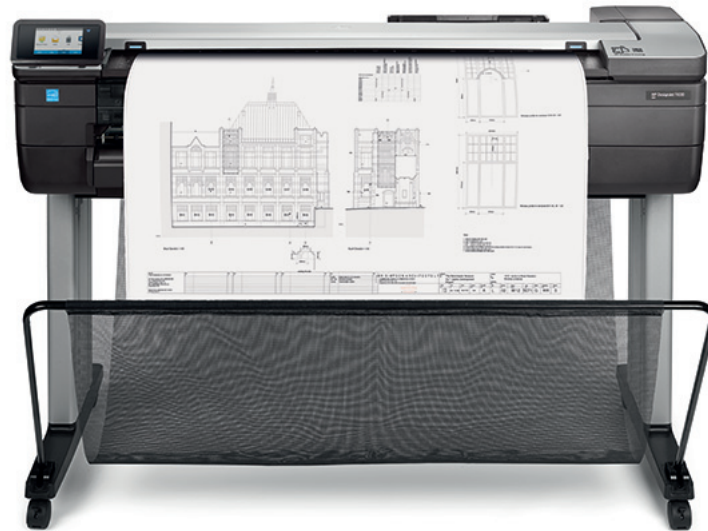




# HP DesignJet T830 36-in Multifunction Printer

The smart choice for architecture and construction offices ready to evolve

Communicate more effectively—no learning curve needed—with print plus scan and copy capabilities



## CONVENIENT—Fast, agile, intuitive print/scan/copy

- Enjoy easy installation in the office, construction job site with the most compact 36-in large-format MFP.<sup>1</sup>
- Easily print project sets and PDF documents with HP Click printing software.
- Anyone can print smoothly from a smartphone or tablet with HP Mobile Printing.<sup>2</sup>
- Fit your print volume – choose from a variety of 40/130/300-ml colour and 69/300-ml black HP ink cartridges.

## TRUSTED—HP DesignJet quality and reliability

- Get HP DesignJet quality also in small-format sizes—print half-size documents with 50-sheet A4/A3 input tray.
- Achieve precise lines up to 0.1% line accuracy<sup>3</sup>, up to 2400 dpi, and high contrast – HP Bright Office Inks.
- Smart scanning technology protects originals from damage when scanning and obtains precise colours.
- Reinforced design and strong legs for easy transport and use at the job site.

## COMMUNICATION—Immediately share meeting results

- Use built-in scanner to copy and distribute sketches and hand-annotated drawings to peers/partners right away.
- Share drawings immediately – scan/email from front panel, use HP Smart app<sup>4</sup> to email contacts, post to cloud.
- Easily link your computer, smartphone, or tablet to the printer with Wi-Fi Direct.
- No learning curve—with the intuitive design of a single touchscreen, you can scan, copy, and share instantly.

Dynamic security enabled printer. Only intended to be used with cartridges using an HP original chip. Cartridges using a non-HP chip may not work, and those that work today may not work in the future.

More at:

<http://www.hp.com/go/learnaboutsupplies>

For more information, please visit

<http://www.hp.com/go/designjett830>



<sup>1</sup> The HP DesignJet T830 24-inch (619 mm) and 36-inch (914 mm) Multifunction Printers are the most compact large-format devices performing print/scan/copy functions based on H x W x L specifications published as of May, 2017.

<sup>2</sup> Local printing requires mobile device and printer to be on the same network (usually Wi-Fi access points bridge wireless to wired connections) or have a direct wireless connection. Wireless performance is dependent on physical environment and distance from access point. Wireless operations are compatible with 2.4 GHz operations only. Remote printing requires an internet connection to an HP web-connected printer. Wireless broadband use requires separately purchased service contract for coverage and availability in your area. See <http://www.hp.com/go/designjetmobility> for more details.

<sup>3</sup> ±0.1% of the specified vector length or ±0.2 mm (whichever greater) at 23° C, 50-60% relative humidity, on A1/D HP printing material in Best mode with HP Heavyweight Coated roll feed and Original HP Bright Office Inks.

<sup>4</sup> The HP Smart app is available for Apple® iPad, iPhone, and iPod Touch running iOS v7.0 or later and for Android™ mobile devices running Android™ v4.4 or later. The HP Smart app is available for free from the Apple® App Store for Apple® mobile devices and from the Google Play Store for Android™ mobile devices.

## Technical specifications

Print	
Line drawings	82 A1 prints per hour <sup>1</sup> on A1; 82 D prints per hour <sup>1</sup>
Print resolution	Up to 2400 x 1200 optimised dpi
Margins	<b>Roll:</b> 5 x 5 x 5 mm <b>Sheet:</b> 5 x 5 x 5 mm
Technology	HP Thermal Inkjet
Ink types	Dye-based (C, M, Y); Pigment-based (mK)
Printheads	1 (cyan, magenta, yellow, matte black)
Line accuracy	±0.1% <sup>2</sup>
Minimum line width	0.02 mm (HP-GL/2 addressable)
Guaranteed minimum line width	0.07 mm (ISO/IEC 13660:2001(E)) <sup>3</sup>
Media	
Size	210 to 914-mm wide sheets; 279 to 914-mm rolls; Input tray: A4, A3; Manual feed: A2, A1, A0
Handling	Sheet feed, roll feed, input tray, media bin, automatic cutter
Weight	60 to 280 g/m <sup>2</sup> (roll/manual feed); 60 to 220 g/m <sup>2</sup> (input tray)
Scan	
Scan	Up to 3.81 cm/sec (colour, 200 dpi); Up to 11.43 cm/sec (greyscale, 200 dpi)
Scan/copy resolution	600 dpi
Maximum size	914 mm x 2.77 m
Maximum thickness	0.8 mm
Copy	
Reduction/enlargement	50 to 400%
Maximum copies	Up to 99 copies
Copier settings	Content type; Lighter/Darker; Background noise removal; Background colour removal; Blue print invert; Translucent media; Colour; Scan full width 36-in (91.44 cm); Auto de-skew; Resize; Copy margins; Quality
Applications	
	Line drawings; Renderings; Presentations
Memory	
	1 GB
Connectivity	
Interfaces (standard)	Gigabit Ethernet (1000Base-T); Wi-Fi 802.11b/g/n; Wi-Fi Direct; USB Type-A host port
Drivers (included)	Raster driver for Windows and macOS; HP-GL/2, HP-RTL drivers for Windows
Printing path	TIFF, JPEG, CALS G4, HP-GL/2, HP-RTL, URF
Mobile printing capability features	Direct print for mobile apps for iOS, Android and Chrome OS; Email printing with HP ePrint and HP Smart app for iOS and Android.
Dimensions (w x d x h)	
Printer	1403 x 629 x 1155 mm
Shipping	1578 x 570 x 645 mm
Weight	
Printer	62.5 kg
Shipping	85 kg
What's in the box	
	HP DesignJet T830 36-in MFP; Printhead; Ink cartridges; Printer stand; Spindle; Quick reference guide; Setup poster; Startup software; Power cord; Refeed preventers
Environmental ranges	
Operating temperature	5 to 40°C
Storage temperature	-25 to 55°C
Operating humidity	20 to 80% RH
Acoustics	
Sound power	6.5 B(A) (active); < 3.4 B(A) (sleep)
Power	
Consumption	35 watts (printing), 3.5 watts (sleep), 0.2 watts (standby)
Requirements	Input voltage (auto ranging): 100-240 V (±10%), 50/60 Hz (±3 Hz), 1.2 A max
Certification	
Safety	EU (LVD and EN 60950-1 compliant); Russia (EAC)
Electromagnetic	Compliant with Class B requirements, including: EU (EMC/R&TE Directives)
Environmental	ENERGY STAR, EPEAT Silver, CE marking (including RoHS, WEEE, REACH). In compliance with RoHS materials restriction requirements in Turkey, Serbia, and Ukraine.
Warranty	
	Two-year limited warranty. Warranty and support options vary by product, country and local legal requirements.

## Ordering information

Product	
F9A30A	HP DesignJet T830 36-in Multifunction Printer
Accessories	
B3Q37A	HP DesignJet 36-in Spindle
N7P47AA	HP USB 3.0 to Gigabit LAN Adapter
Original HP printheads	
F9J81A	HP 729 DesignJet Printhead Replacement Kit
Original HP ink cartridges	
F9J61A	HP 728 40-ml Yellow DesignJet Ink Cartridge
F9J62A	HP 728 40-ml Magenta DesignJet Ink Cartridge
F9J63A	HP 728 40-ml Cyan DesignJet Ink Cartridge
F9J64A	HP 728 69-ml Matte Black DesignJet Ink Cartridge
F9J65A	HP 728 130-ml Yellow DesignJet Ink Cartridge
F9J66A	HP 728 130-ml Magenta DesignJet Ink Cartridge
F9J67A	HP 728 130-ml Cyan DesignJet Ink Cartridge
F9J68A	HP 728 300-ml Matte Black DesignJet Ink Cartridge
F9K15A	HP 728 300-ml Yellow DesignJet Ink Cartridge
F9K16A	HP 728 300-ml Magenta DesignJet Ink Cartridge
F9K17A	HP 728 300-ml Cyan DesignJet Ink Cartridge
Dynamic security enabled printer. Only intended to be used with cartridges using an HP original chip. Cartridges using a non-HP chip may not work, and those that work today may not work in the future.	
More at:	
<a href="http://www.hp.com/go/learnaboutsupplies">http://www.hp.com/go/learnaboutsupplies</a>	
Original HP large format printing materials	
C6020B	HP Coated Paper-914 mm x 45.7 m (36 in x 150 ft)
C6030C	HP Heavyweight Coated Paper-914 mm x 30.5 m (36 in x 100 ft)
C3875A	HP Clear Film-914 mm x 22.9 m (36 in x 75 ft)
Service and Support	
UC744E	HP Network Installation Service for DesignJet low-end series
U1XV4E	HP Preventive Maintenance Service
U8TY8E	HP 2 year Next Business Day DesignJet T830 HW Support
U8PH3E	HP 3 year Next Business Day DesignJet T830 HW Support
U8TY9E	HP 4 year Next Business Day DesignJet T830 HW Support
U8PH4E	HP 5 year Next Business Day DesignJet T830 HW Support
U8PH5PE	HP 1 year Post Warranty Next Business Day DesignJet T830 HW Support
U8TZ0PE	HP 2 year Post Warranty Next Business Day DesignJet T830 HW Support
HP DesignJet Support Services offer solutions for business critical environments—installation, extended support and maintenance, as well as variety of value-added services. For more information, please visit <a href="http://hp.com/go/designjetsupport">hp.com/go/designjetsupport</a> .	
Use Original HP inks and printheads to experience consistent high quality and reliable performance that enable less downtime. These critical components are designed and engineered together as an optimized printing system to provide precise line accuracy as well as dark blacks and true neutral grays. For more information, visit <a href="http://hp.com/go/OriginalHPinks">hp.com/go/OriginalHPinks</a> .	
For the entire HP Large Format Printing Materials portfolio, please see <a href="http://HPLFMedia.com">HPLFMedia.com</a> .	
Eco Highlights	
ENERGY STAR® certified <sup>1</sup> and EPEAT® Silver registered <sup>2</sup>	
Free, convenient HP ink cartridge recycling <sup>3</sup>	
FSC®-certified papers <sup>4</sup> and a range of recyclable HP media with a take-back program <sup>5</sup>	
<sup>1</sup> ENERGY STAR and the ENERGY STAR mark are registered trademarks owned by the U.S. Environmental Protection Agency.	
<sup>2</sup> EPEAT® registered where applicable. EPEAT registration varies by country. See <a href="http://www.epeat.net">http://www.epeat.net</a> for registration status by country.	
<sup>3</sup> Program availability varies. Please check <a href="http://www.hp.com/recycle">http://www.hp.com/recycle</a> for details.	
<sup>4</sup> BMG trademark license code FSC®-C115319, see <a href="http://www.fsc.org">http://www.fsc.org</a> . HP trademark license code FSC®-C017543, see <a href="http://www.fsc.org">http://www.fsc.org</a> . Not all FSC®-certified products are available in all regions.	
<sup>5</sup> Many HP printing materials are recyclable through commonly available recycling programs. For information about HP large format printing materials, please visit <a href="http://www.HPLFMedia.com">http://www.HPLFMedia.com</a> .	
Please recycle large-format printing hardware and printing supplies. Find out how at our website <a href="http://hp.com/ecosolutions">hp.com/ecosolutions</a>	
<sup>1</sup> Mechanical printing time	
<sup>2</sup> ±0.1% of the specified vector length or ±0.2 mm (whichever greater) at 23°C (73°F), 50-60% relative humidity, on A0/E HP Heavyweight media in Best or Normal mode with Original HP inks	
<sup>3</sup> Measured on HP Matte Film	

